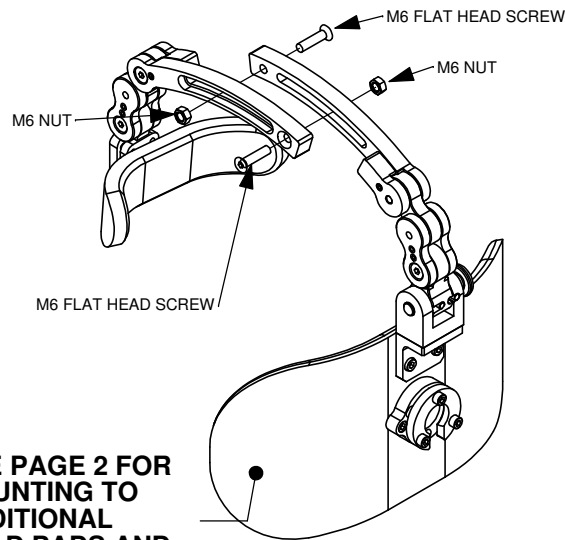


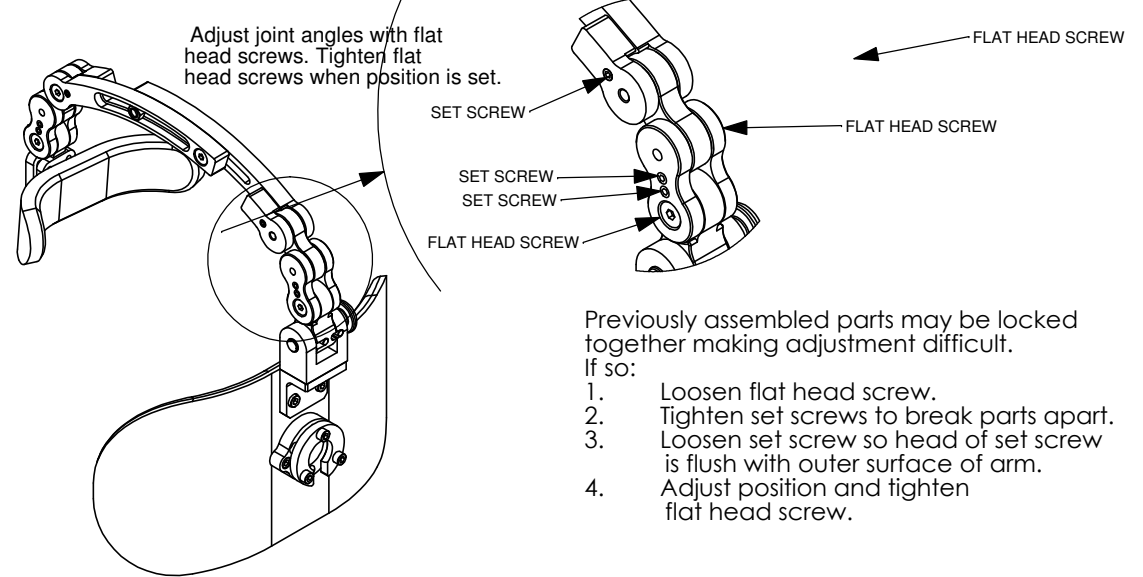
INSTRUCTIONS - ADJUSTABLE FOREHEAD STABILIZER - SRAFS

1. SET ARM LENGTH AND CONNECT ARMS WITH M6 FLAT HEAD SCREWS AND NUTS.



SEE PAGE 2 FOR MOUNTING TO ADDITIONAL HEAD PADS AND EXTENSION ARMS.

2. ADJUST ARM POSITION.

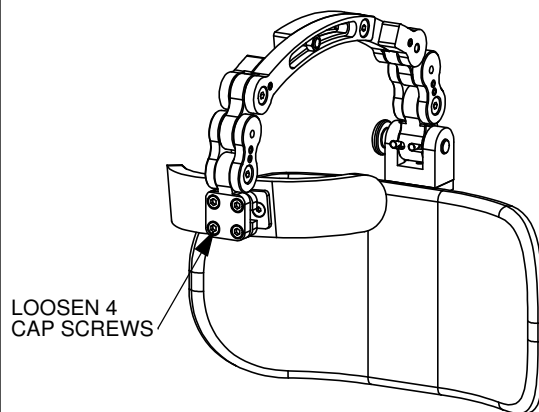


Previously assembled parts may be locked together making adjustment difficult.

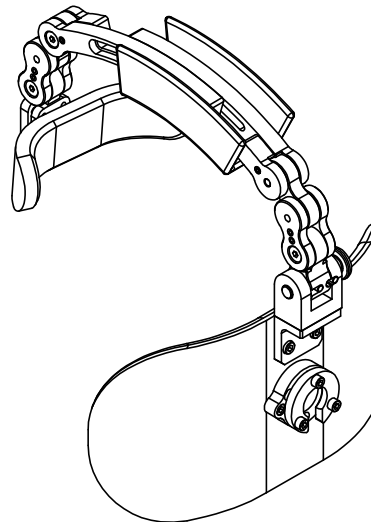
If so:

1. Loosen flat head screw.
2. Tighten set screws to break parts apart.
3. Loosen set screw so head of set screw is flush with outer surface of arm.
4. Adjust position and tighten flat head screw.

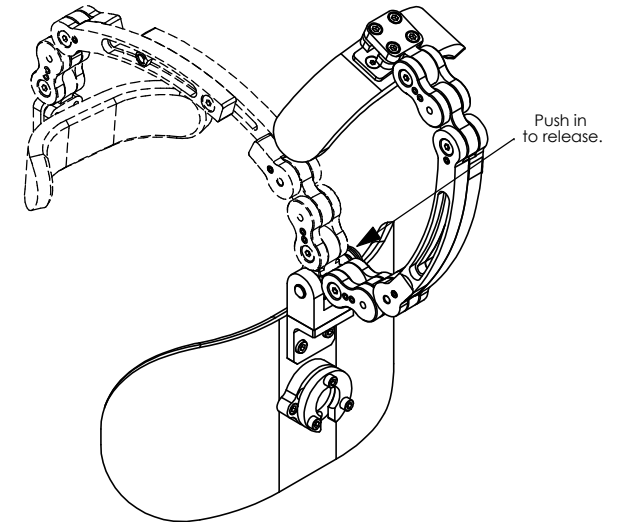
3. ADJUST FOREHEAD BALL.



4. INSTALL GEL WRAP AROUND ARM.

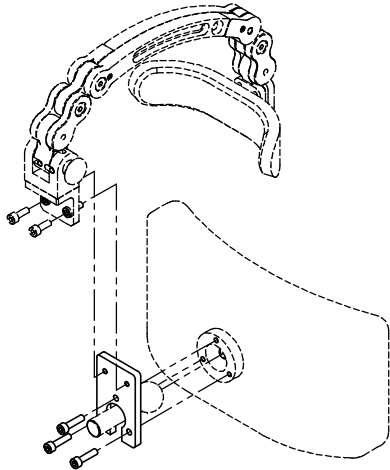


5. FLIP BACK.

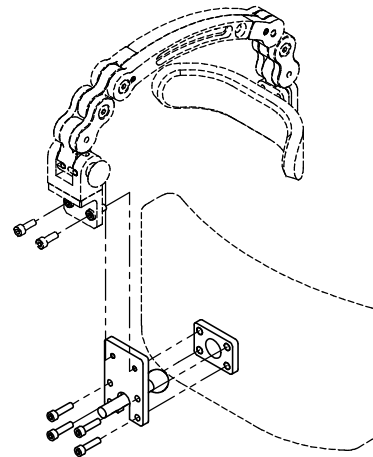


INSTRUCTIONS - ADJUSTABLE FOREHEAD STABILIZER - SRAFS

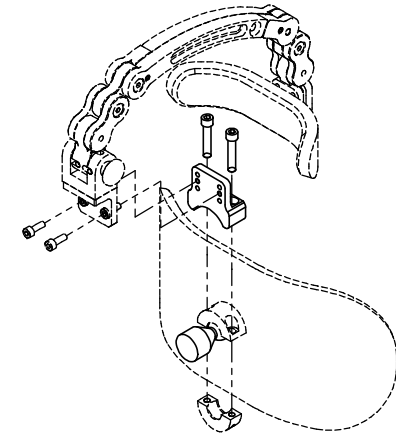
HEAD PAD ADAPTER KITS



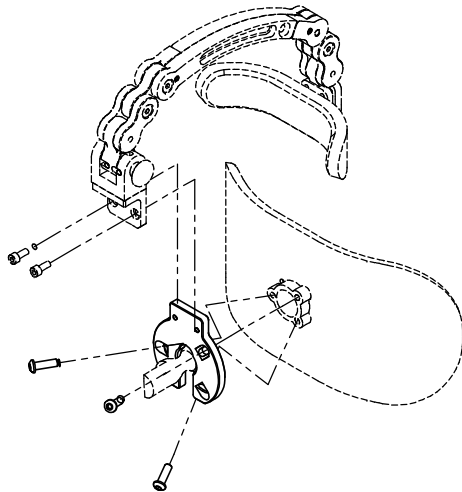
SRFSMB FOR 1" BALL / 3 SCREW MOUNTING



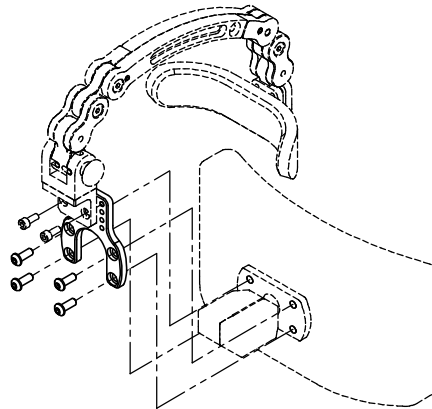
SRFSMBS FOR 3/4" BALL / 4 SCREW MOUNTING



SRFSMBW FOR WHITMYER 3/4" BALL



SRFSMBC4 FOR COMFORT COMPANY 1" BALL



SRFSMBP FOR PERMOBIL LINK HARDWARE

